

## DS-2CV2141G2-IDW 4 MP EXIR Fixed Dome Network Camera



- High quality imaging with 4 MP resolution
- Realizing Wi-Fi connection and easy installation
- Provides real-time security via built-in two-way audio
- Efficient H.265 compression technology
- EXIR 2.0, advanced infrared technology with long IR distance
- Wi-Fi connection with Hik-Connect directly is not possible
- Water and dust resistant (IP66)
- Built-in memory card slot, support microSD/microSDHC/microSDXC card, up to 256 GB

## ▪ Specification

| Camera                      |   |
|-----------------------------|---|
| Image Sensor                | 1/3" Progressive Scan CMOS  |
| Max. Resolution             | 2560 × 1440   |
| Min. Illumination           | Color: 0.005 Lux @ (F1.6, AGC ON), B/W: 0 Lux with IR   |
| Shutter Time                | 1/3 s to 1/100,000 s  |
| Day & Night                 | IR cut filter   |
| Angle Adjustment            | Pan: 0° to 355°, tilt: 0° to 75°, rotate: 0° to 355°  |
| Lens                        |   |
| Lens Type                   | Fixed focal lens, 2.8 and 4 mm optional   |
| Focal Length & FOV          | 2.8 mm, horizontal FOV 95°, vertical FOV 53°, diagonal FOV 111°<br>4 mm, horizontal FOV 79°, vertical FOV 40°, diagonal FOV 94° |
| Aperture                    | F1.6  |
| Lens Mount                  | M12   |
| Iris Type                   | Fixed   |
| Depth of Field              | 2.8 mm: 1.4 m to ∞<br>4 mm: 1.5 m to ∞  |
| DORI                        |   |
| DORI                        | 2.8 mm, D: 63 m, O: 25 m, R: 12 m, I: 6 m<br>4 mm, D: 78 m, O: 31 m, R: 15 m, I: 7 m  |
| Illuminator                 |   |
| Supplement Light Type       | IR  |
| Supplement Light Range      | Up to 30 m  |
| Smart Supplement Light      | Yes   |
| IR Wavelength               | 850 nm  |
| Video                       |   |
| Main Stream                 | 50 Hz: 20 fps (2560 × 1440), 25 fps (1920 × 1080, 1280 × 720)<br>60 Hz: 20 fps (2560 × 1440), 30 fps (1920 × 1080, 1280 × 720)  |
| Sub-Stream                  | 50 Hz: 25 fps (1280 × 720, 640 × 480, 640 × 360)<br>60 Hz: 30 fps (1280 × 720, 640 × 480, 640 × 360)                            |
| Video Compression           | Main stream: H.265+/H.265/H.264+/H.264<br>Sub-stream: H.265/H.264   |
| Video Bit Rate              | 32 Kbps to 8 Mbps   |
| H.264 Type                  | Baseline Profile, Main Profile, High Profile  |
| H.265 Type                  | Main Profile  |
| Bit Rate Control            | CBR, VBR  |
| Audio                       |   |
| Audio Compression           | G.711ulaw/G.711alaw/G.722.1/G.726/MP2L2/PCM/AAC-LC  |
| Audio Bit Rate              | 64 Kbps (G.711)/16 Kbps (G.722.1)/16 Kbps (G.726)/32 to 160 Kbps (MP2L2)/16 to 64 Kbps (AAC-LC)                                 |
| Audio Sampling Rate         | 8 kHz/16 kHz  |
| Environment Noise Filtering | Yes   |

| <b>Network</b>           |   |
|--------------------------|---|
| Protocols                | TCP/IP, ICMP, HTTP, HTTPS, DHCP, DNS, DDNS, RTP, RTSP, RTCP, PPPoE, NTP, UPnP, SMTP, SNMP, IGMP, QoS, IPv6, Bonjour   |
| Simultaneous Live View   | Up to 6 channels  |
| API                      | Open Network Video Interface (Profile S, Profile G, Profile T), ISAPI, SDK  |
| User/Host                | Up to 32 users. 3 levels: administrator, operator and user  |
| Security                 | Password protection, complicated password, HTTPS encryption, IP address filter, Security Audit Log, basic and digest authentication for HTTP/HTTPS              |
| Network Storage          | NAS (NFS, SMB/CIFS), Auto Network Replenishment (ANR), Together with high-end Hikvision memory card, memory card encryption and health detection are supported. |
| Client                   | Wired network: Hik-Connect, iVMS-4200<br>Wi-Fi: iVMS-4200<br>*Wi-Fi connection with Hik-Connect directly is not possible.                                       |
| Web Browser              | Plug-in required live view: IE 10+<br>Plug-in free live view: Chrome 57.0+, Firefox 52.0+<br>Local service: Chrome 57.0+, Firefox 52.0+                         |
| <b>Wi-Fi</b>             |   |
| Wi-Fi Protocol           | 802.11n: OFDM, 802.11b: CCK, QPSK, BPSK, 802.11g: OFDM  |
| Frequency Range          | 2.412 GHz to 2.472 GHz  |
| Channel Bandwidth        | 20/40 MHz   |
| Modulation               | 802.11n: OFDM, 802.11b: CCK, QPSK, BPSK, 802.11g: OFDM  |
| Transfer Rate            | 11n: up to 300 Mbps   |
| Wireless Range           | Up to 120 m<br>(The performance varies based on actual environment)   |
| Antenna                  | 2 Antennas  |
| <b>Image</b>             |   |
| Image Settings           | saturation, brightness, contrast, sharpness, adjustable by client software or web browser   |
| Day/Night Switch         | Auto, Schedule, Day, Night  |
| Wide Dynamic Range (WDR) | 120 dB  |
| SNR                      | ≥ 52 dB   |
| Image Enhancement        | BLC, 3D DNR   |
| <b>Interface</b>         |   |
| Built-in Microphone      | Yes   |
| Built-in Speaker         | Yes   |
| On-Board Storage         | Built-in memory card slot, support microSD/microSDHC/microSDXC card, up to 256 GB   |
| Reset Key                | Yes   |
| Ethernet Interface       | 1 RJ45 10 M/100 M self-adaptive Ethernet port   |
| <b>Event</b>             |   |
| Basic Event              | Motion detection, exception   |
| Linkage                  | notify surveillance center, trigger recording, trigger capture, Upload to NAS/memory card   |

| General                          |  |
|----------------------------------|--|
| Power                            | 12 VDC ± 25%, 0.5 A, max. 6 W, Ø5.5 mm coaxial power plug, reverse polarity protection, A switching adapter is included in the package.  |
| Language                         | English, Ukrainian   |
| Storage Conditions               | -30 °C to 60 °C (-22 °F to 140 °F). Humidity 95% or less (non-condensing)  |
| Startup and Operating Conditions | -30 °C to 60 °C (-22 °F to 140 °F). Humidity 95% or less (non-condensing)  |
| General Function                 | Anti-banding, heartbeat, mirror, password protection, watermark, IP address filter   |
| Material                         | Polycarbonate cover, polycarbonate body  |
| Dimension                        | Ø126 mm × 96.1 mm (Ø5" × 3.8")   |
| Package Dimension                | 170 mm × 170 mm × 150 mm (6.7" × 6.7" × 5.9")  |
| Weight                           | Approx. 590 g (1.3 lb.)  |
| With Package Weight              | Approx. 989 g (2.2 lb.)  |
| Approval                         |  |
| EMC                              | FCC SDoC (47 CFR Part 15, Subpart B);<br>CE-EMC (EN 55032: 2015, EN 61000-3-2: 2014, EN 61000-3-3: 2013, EN 50130-4: 2011 +A1: 2014);<br>IC VoC (ICES-003: Issue 6, 2016);<br>KC (KN 32: 2015, KN 35: 2015)              |
| RF                               | FCC ID (FCC Part 15.247(BT or 2.4G));<br>IC ID (RSS-247(BT or 2.4G));<br>CE-RED (EN 301489-1 V2.1.1(BT or 2.4G); EN 301489-17 V3.1.1(BT or 2.4G); EN 300328 V2.1.1(BT or 2.4G); EN 62311:2008(BT or 2.4G));<br>MIC (JPN) |
| Safety                           | UL (UL 60950-1);<br>CB (IEC 60950-1:2005 + Am 1:2009 + Am 2:2013, IEC 62368-1:2014);<br>CE-LVD (EN 60950-1:2005 + Am 1:2009 + Am 2:2013, IEC 62368-1:2014);  |
| Environment                      | CE-RoHS: 2011/65/EU,<br>WEEE: 2012/19/EU,<br>Reach: Regulation (EC) No 1907/2006   |
| Protection                       | IP66: IEC 60529-2013   |

## ▪ Typical Application

Hikvision products are classified into three levels according to their anti-corrosion performance. Refer to the following description to choose for your using environment.

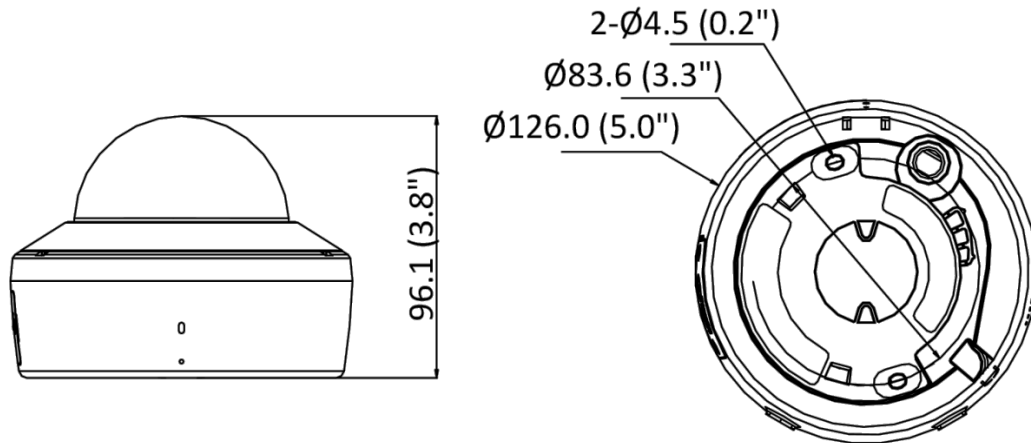
This model has NO SPECIFIC PROTECTION.

| Level                  | Description  |
|------------------------|--|
| Top-level protection   | Hikvision products at this level are equipped for use in areas where professional anti-corrosion protection is a must. Typical application scenarios include coastlines, docks, chemical plants, and more.   |
| Moderate protection    | Hikvision products at this level are equipped for use in areas with moderate anti-corrosion demands. Typical application scenarios include coastal areas about 2 kilometers (1.24 miles) away from coastlines, as well as areas affected by acid rain. |
| No specific protection | Hikvision products at this level are equipped for use in areas where no specific anti-corrosion protection is needed.  |

▪ **Available Model**

DS-2CV2141G2-IDW(2.8/4 mm)




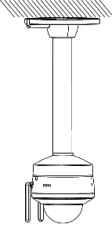
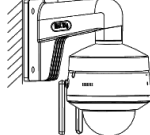
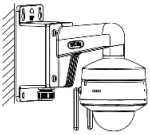
▪ **Dimension**



Unit: mm (inch)

▪ **Accessory**

▪ **Optional**

| DS-1271ZJ-120<br>Pendant Mount  | DS-1272ZJ-120<br>Wall Mount   | DS-1272ZJ-120B<br>Wall Mount   |
|---|---|--|
|  |  |  |
|  |  |  |

**Headquarters**

No.555 Qianmo Road, Binjiang District,  
Hangzhou 310051, China  
T +86-571-8807-5998  
www.hikvision.com



Follow us on social media to get the latest product and solution information.



Hikvision



HikvisionHQ



HikvisionHQ



Hikvision\_Global



Hikvision Corporate Channel



hikvisionhq